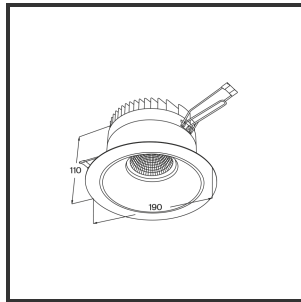


LUXOR 20

9005 3000K/CRI80 triac



Beamangle	60°	Input current	460mA
CIE Flux Codes	95 99 100 100 100	IP	IP44
Colour Deviation (SDCM)	3 sdcM	Color	RAL9005
Colour Temperature	3000K	Led type	COB
Max. connected Load	20W	Lumen Maintenance	L80B10 bij 50.000
Connected Voltage	220-240V	Lumen/W	135lm/W
CRI	85	Luminous flux of luminaire	2000lm
Cut Out Dimensions	Ø150	Material Housing	Aluminium
Dim	Triac	Material Lens/Reflector/Diffusor	Aluminium
Dimensions	Ø190x110	Mounting Type	Recessed
Energy Efficiency Class	D	PF	0,9
Forward Voltage	33-36V	Protection Class	I
Frequency	50-60Hz	Recess Depth	110
IK	05	UGR	<19
		Weight	400g

Reference : 000003846

Product Description

Powerful, high-quality downlighter. Mix-and-match this downlighter with other luminaires to fully illuminate office spaces. The Luxor is also highly suitable for illuminating public areas such as entrances, halls and corridors. Because the light source is slightly deeper in the fixture this downlighter obtains a UGR value of UGR<19. Available in six types: 12W (Dimensions: 140x95, built-in: Ø100), 20W (Dimensions: 190x110, built-in: Ø150), 30W (Dimensions: 190x110, built-in: Ø150), 40W (Dimensions: 240x110, built-in: Ø200), 60W (Dimensions: 240x110, built-in: Ø200). Available in 3000K or 4000K. Standard on/off. Dimmable in dali, dali push and 1-10V. This downlighter is available in RAL9005 and RAL9016.